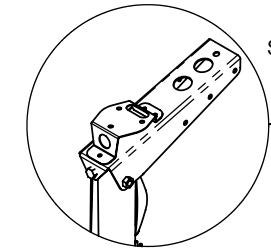
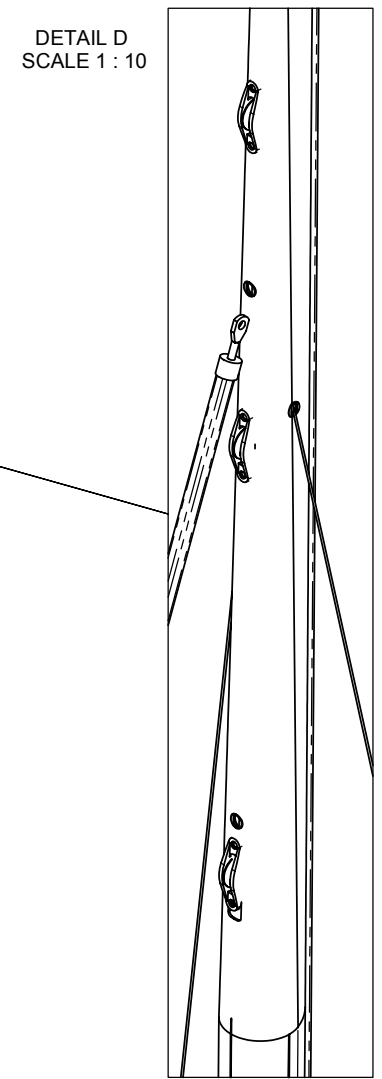


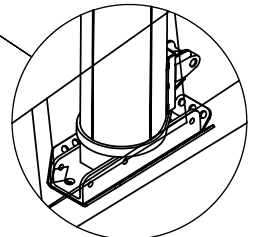
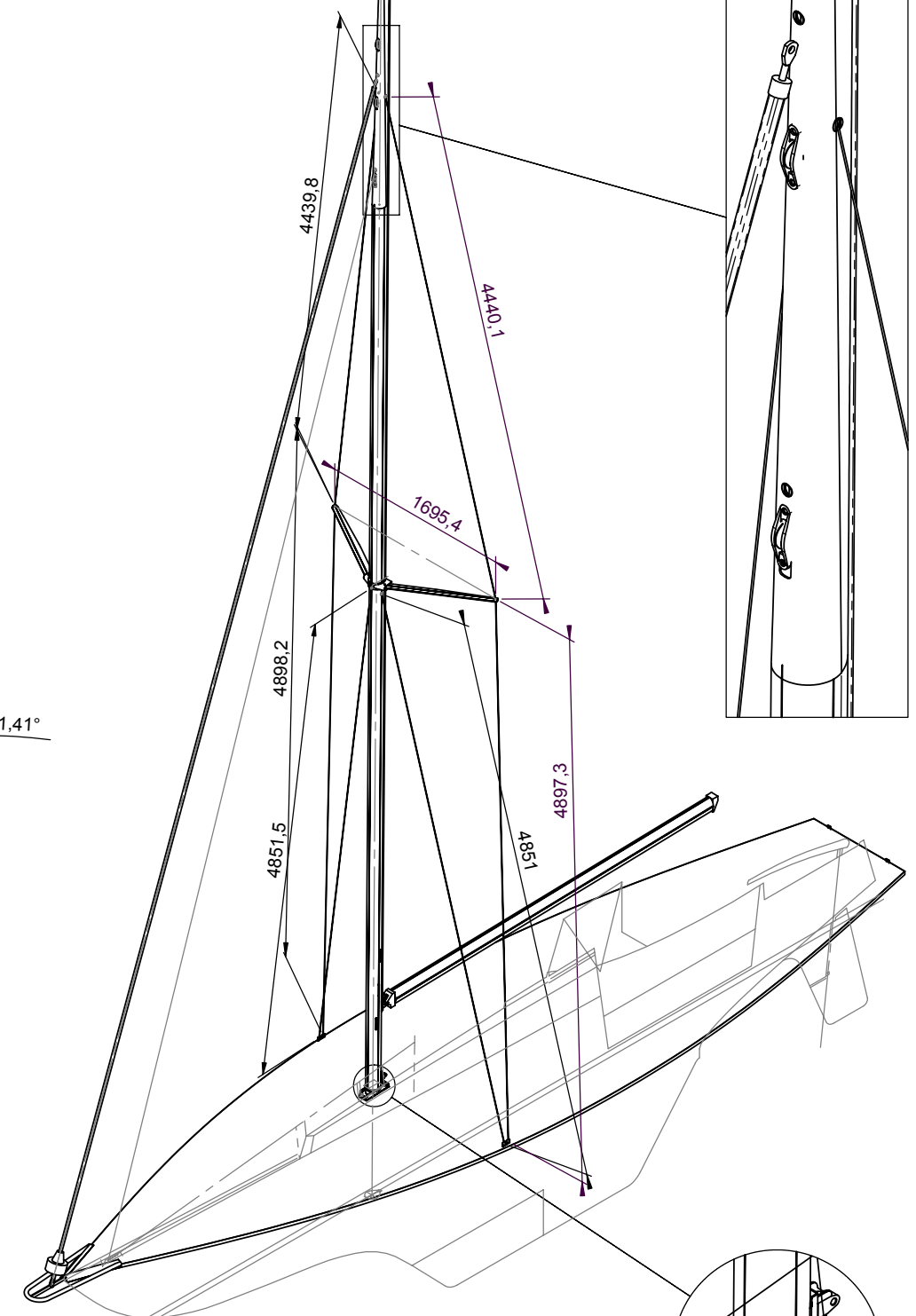
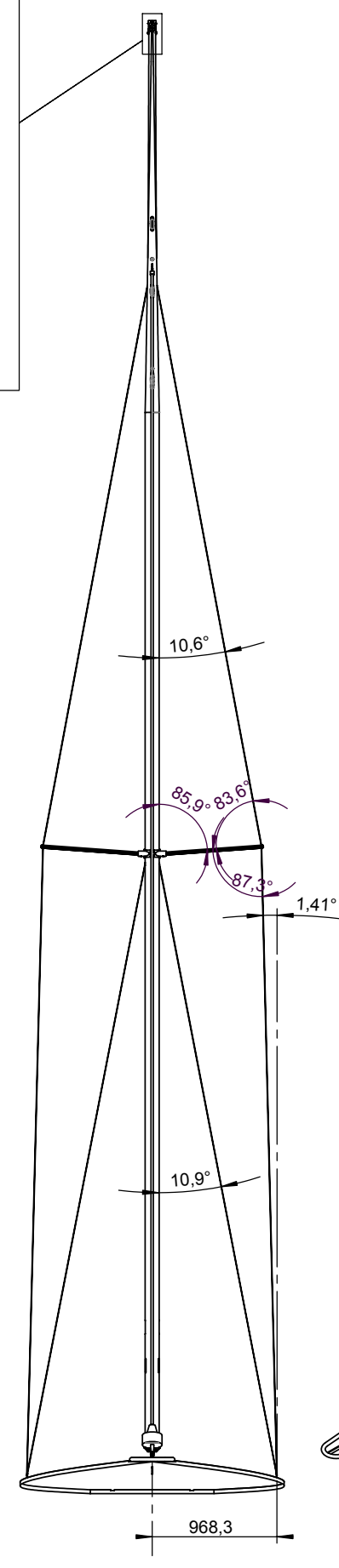
DETAIL F
SCALE 1 : 5



DETAIL C
SCALE 1 : 10



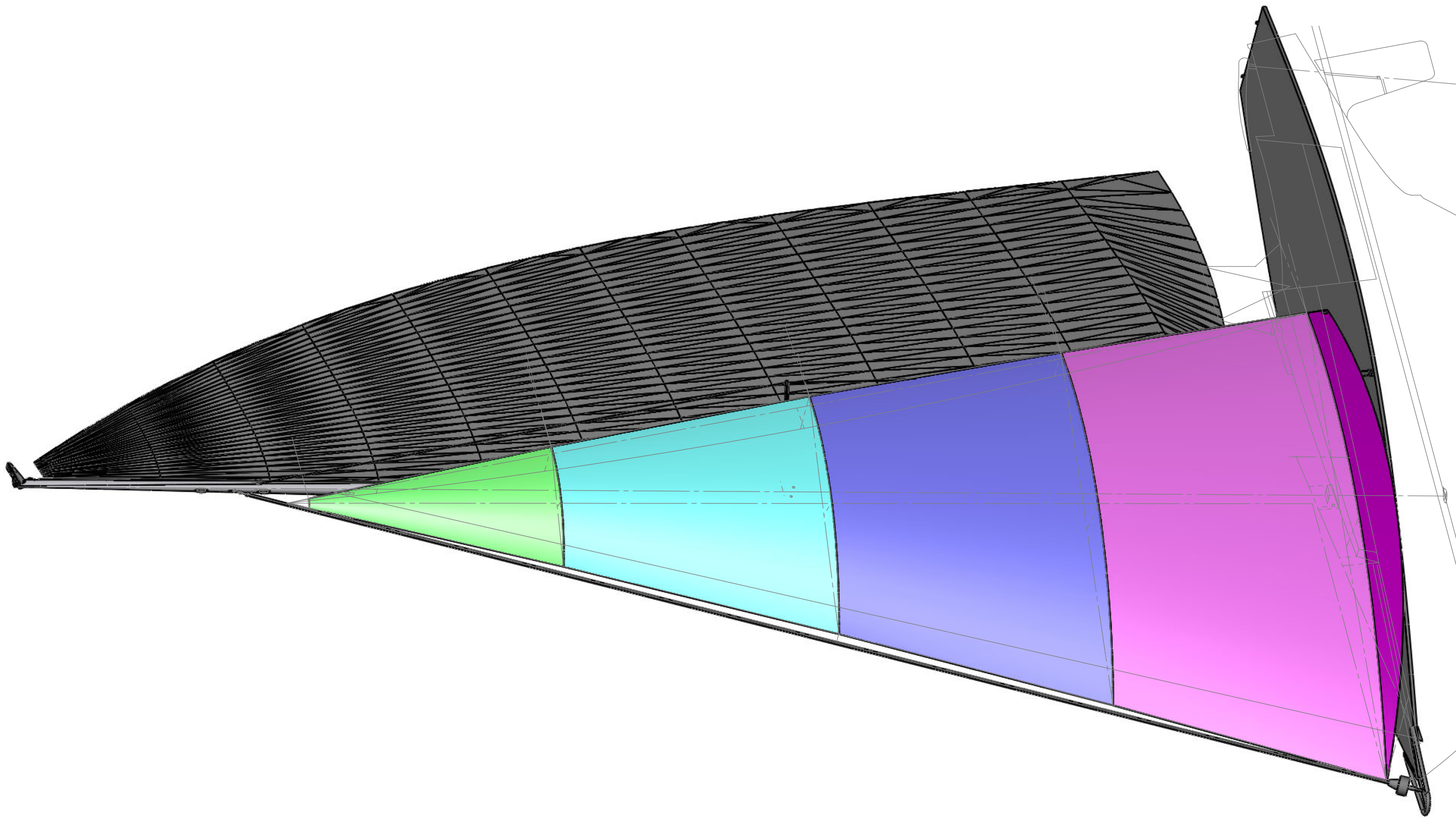
DETAIL D
SCALE 1 : 10



DETAIL B
SCALE 1 : 10

All drawings descriptions and other information submitted by Kalle Jonasson together with the copyright therein.
Kalle Jonasson design & konstruktion, Fjögätan 12, 421 39 Västra Frölunda

Rev	Ändring	Rev datum	Sign	Datum	Konstr/Ritad
				031227	KJ
Riggritning RJ 222 special			Skala	Dok ID	
			1:50	Skiss 1	



All drawings descriptions and other information submitted by Kalle Jonasson together with the copyright therein.
Kalle Jonasson design & konstruktion, Flöjtgatan 12, 421 39 Västra Frölunda

Kalle Jonasson

Telefon +46(0)31 47 35 22

kalle.jonasson@telia.com

Rig med vantfästen

Kalle Jonasson

Rev	Ändring	Rev datum	Sign	Datum 031227	Konstr/Ritad KJ
Riggritning RJ 222 special			Skala 1:30	Dok ID Skiss 1	